

FMC-B12 COLUMN FOR LIGHT CURTAINS

GENERAL

These mounting instructions contain information about the correct mounting of the column.

- The assembly of the **FMC-B12** with the column rotation flange;
- The assembly of the **FMC-B12** stand for mounting on the **FMC-CB/FMC-CBL** stand bottom;
- The correct mounting of the barrier on the column (rif. Normative ISO 13855 / EN999-2008);
- Alignment Emitter - Receiver;
- Dimensions;

Please find detailed information about the function of the light curtains / light grids in the relevant mounting and wiring instructions.

ASSEMBLY OF THE FMC-B12 WITH THE ROTATION FLANGE (Fig. 1)

- Assembly the rotation flange with the profile using the correct provided screws (as shown in figure 1).

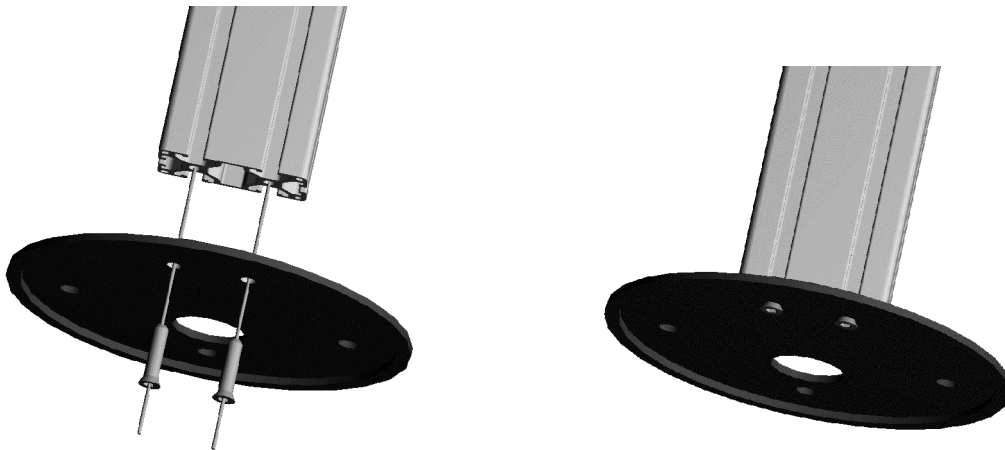


Figure 1

ASSEMBLY OF THE FMC-B12 STAND WITH THE STAND BOTTOM; (Fig. 2)

- Mount the **FMC-CB/FMC-CBL** stand bottom on the floor (see mounting instruction for stand bottom).
- Loosen the three allen screws and remove the washers.
- Assembly the column to the stand bottom, centering the FMC-B column rotation flange with the guides of the **FMC-CB/FMC-CBL** stand bottom upper plate.
- Fix the column tightening the three allen screws and the washers.

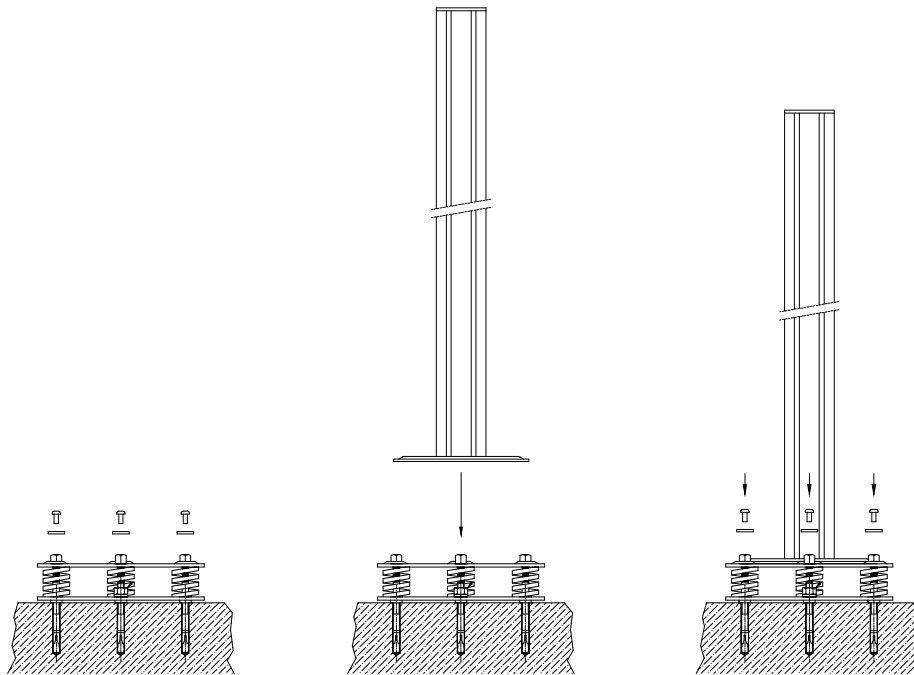
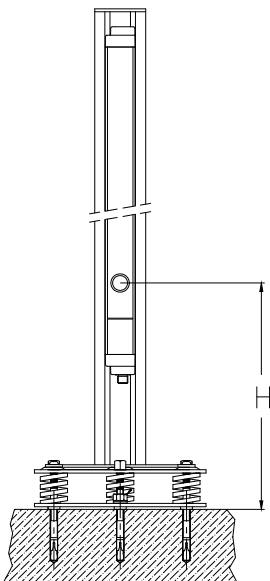


Figure 2

EXACT POSITION OF THE BARRIER ON THE COLUMN



- You will find the exact position of the barrier in the table below (distance between the first light beam and the ground) (rif. Normative ISO 13855 / EN999-2008).

MODEL	2B 2 BEAMS	3B 3 BEAMS
H	400	300

BARRIER ASSEMBLY AND ALIGNMENT (figura 3)

- Put in the chosen slot the provided inserts (push to insert);
- Assembly the barrier to the column with the provides brackets;
- Perform leveling fine adjustments by means of the hexagonal nuts of the stand bottom (**B**).
- For an exact alignment of emitter and receiver, loosen the three allen screws (**C**) that fix the rotation flange and rotate the two columns until the barrier signal LEDs light on (ref. Technical manual).

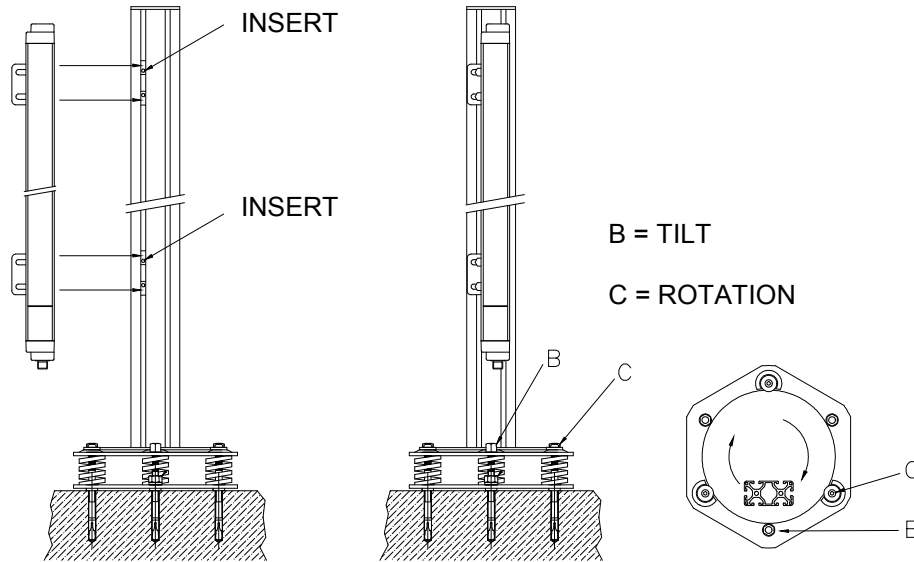


Figure 3

DIMENSIONS

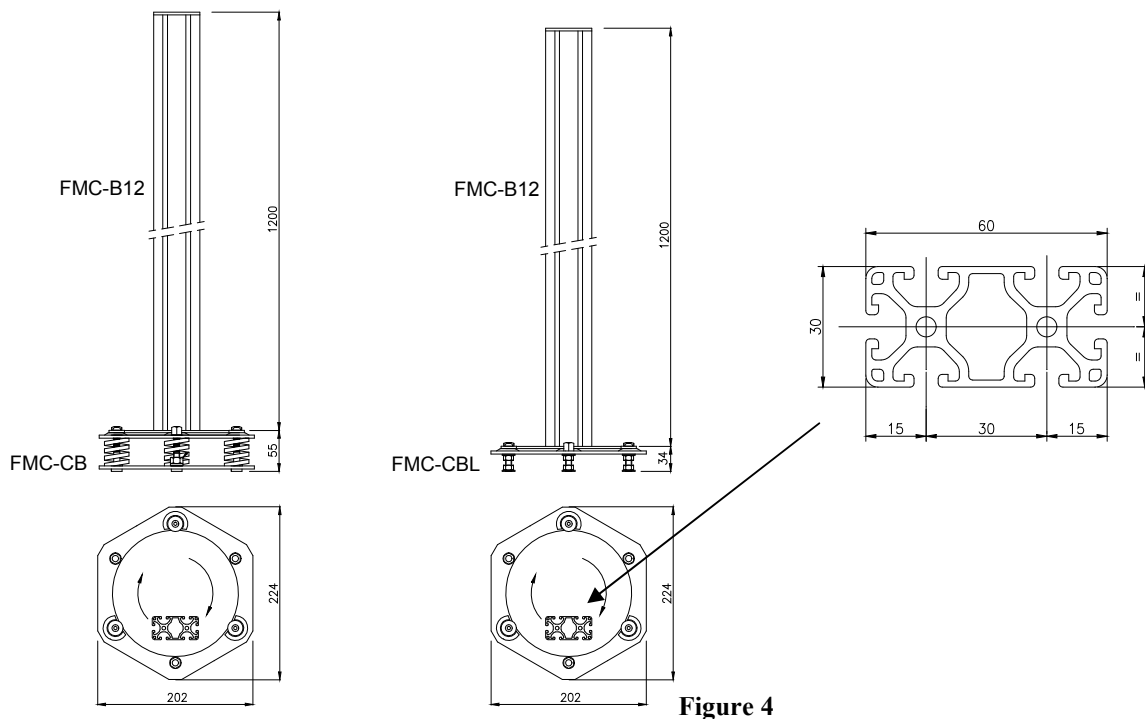


Figure 4